

PERMETRICS TECHNOLOGIES

Automatic Passenger Counting for the Transportation Industry



Automatic Patron Counting for Entertainment, Gaming, Retail and Other Facilities

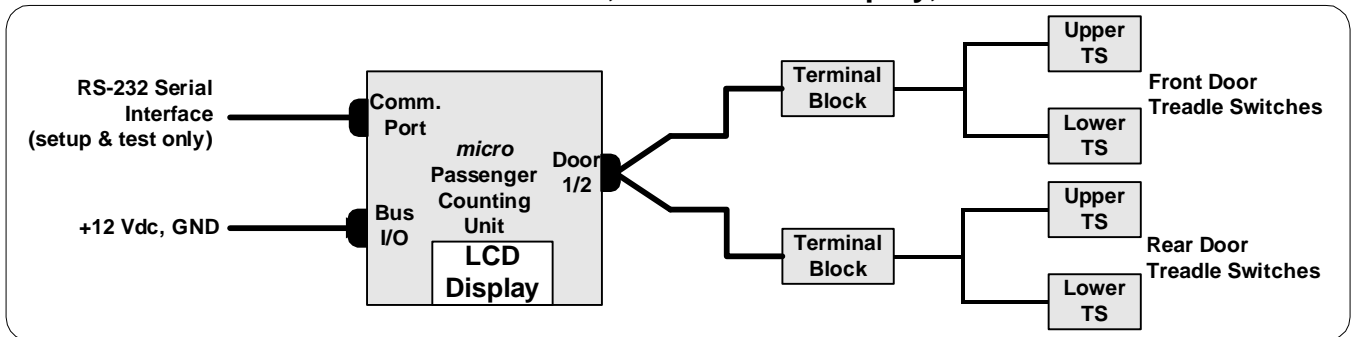


*Your Passengers & Patrons Count ... Count on PerMetrics
with more than 20 years experience in the APC business*

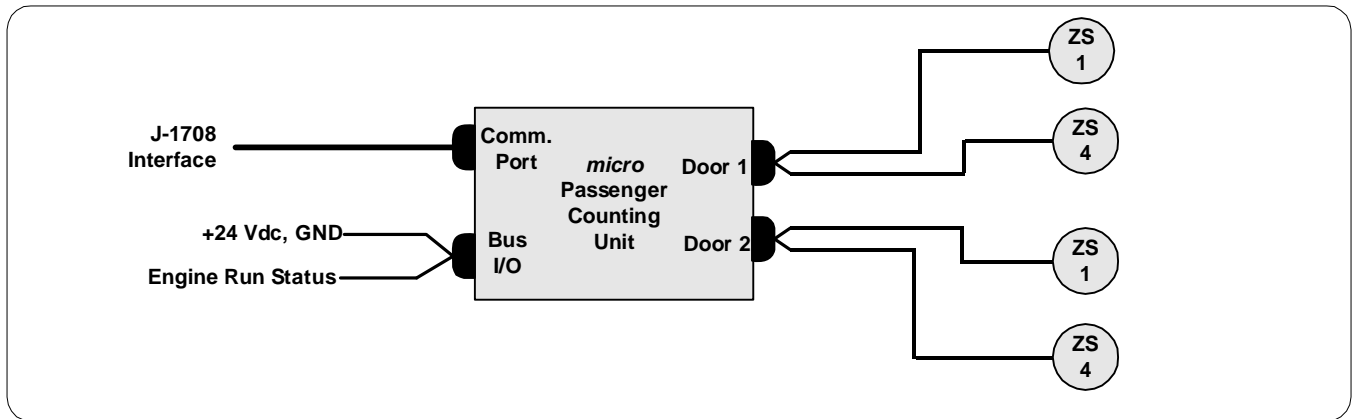
AUTOMATIC PASSENGER COUNTING

(SEE LAST PAGE FOR PRODUCTS OVERVIEW)

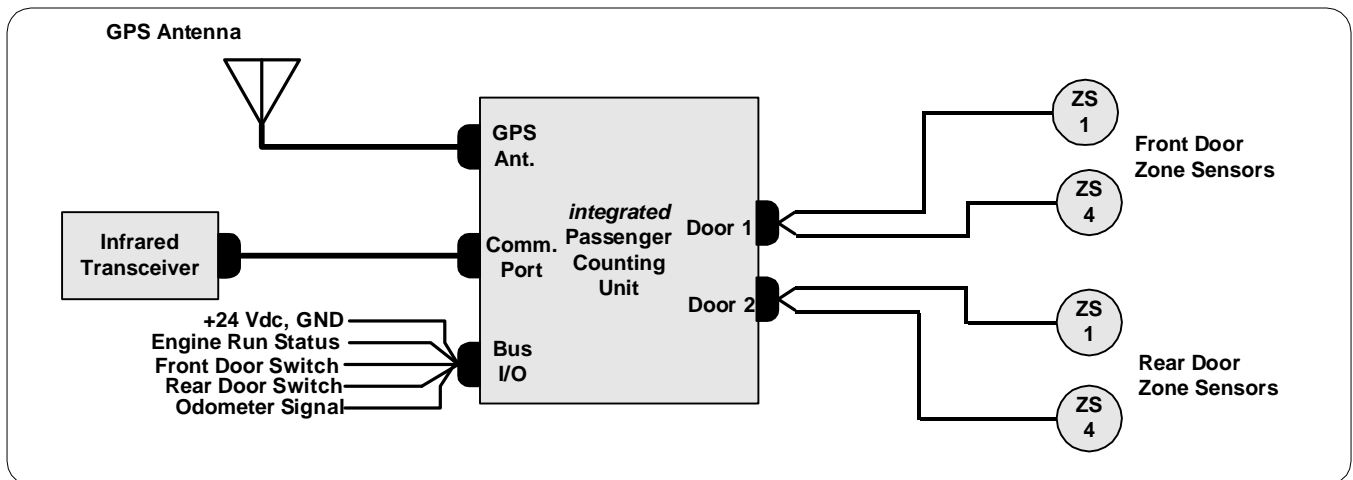
If you need a simple, low-cost APC solution for total counts, with an LCD display,



or to connect your APC to another, on-board system,



or a fully-featured, stand-alone APC system with integral GPS location and automatic offloading,



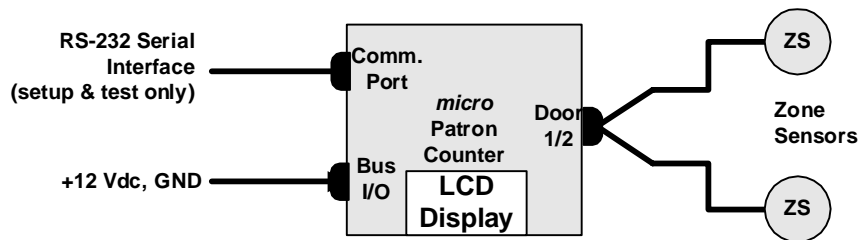
no one offers a more versatile product line than PerMetrics

Your Passengers Count ... Count on PerMetrics

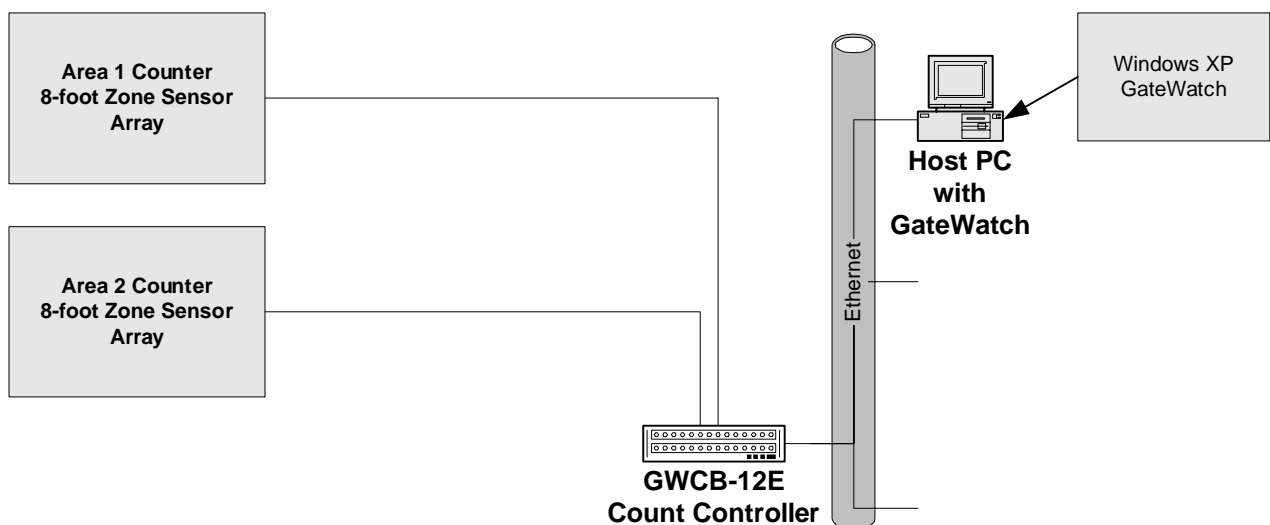
AUTOMATIC PATRON COUNTING

(SEE LAST PAGE FOR PRODUCTS OVERVIEW)

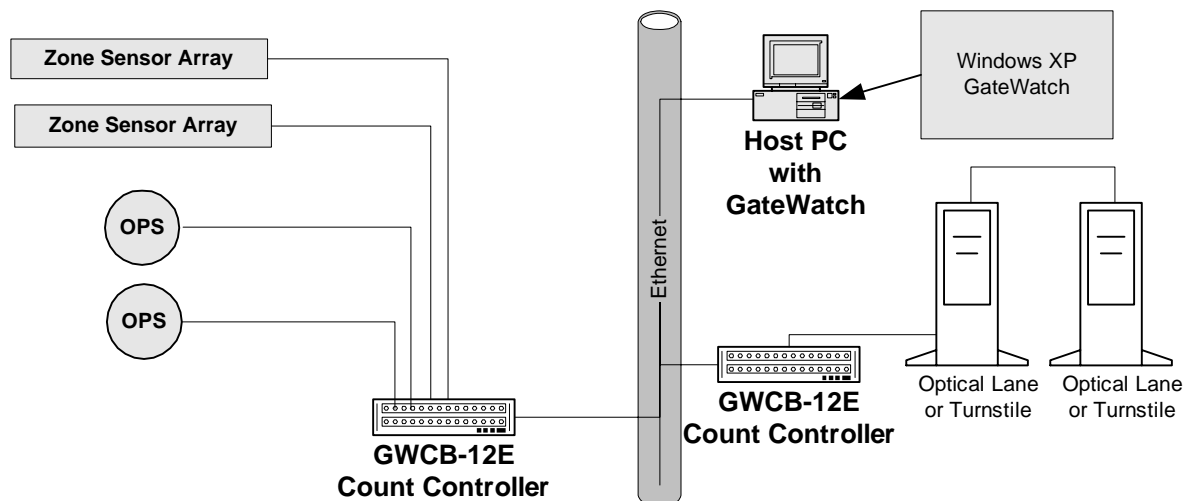
If you want a simple, overhead counter for a single door, with an LCD display.



or patron counts for wide corridors at an attraction,



or counts for a facility with multiple entrances and complex patron behavior - even mixed systems with turnstiles and overhead counters



no one offers more options for patron counting than PerMetrics

Your Patrons Count ... Count on PerMetrics

Transportation Products Overview

Passenger Counting Units



- i PCU**
- up to 8 doors
 - internal GPS
 - 5 A Power Supply
 - Stop-by-stop, Time-based or Real-time counting
 - Zone Sensor, OPS or Treadle Switch sensors



- m PCU**
- up to 4 doors
 - external GPS
 - 2 A Power Supply
 - Stop-by-stop, Time-based or Real-time counting
 - Zone Sensor, OPS or Treadle Switch sensors



- μ PCU**
- up to 2 doors
 - Real-time counting
 - Zone Sensors or Treadle Switches
 - LCD display for total counts
 - Dry-contact, RS-232 or J-1708 interfaces for count outputs
 - Low-cost

Sensors



Treadle Switches

- Proven, reliable sensors
- Works with any PerMetrics data logger
- Custom manufactured for perfect fit
- Unobtrusive sensing



Zone Sensors

- Active IR
- Works with any PerMetrics data logger
- Minimum configuration is 2 Zone Sensors per door
- Rugged, reliable design



OPS

- Machine-vision with Artificial Intelligence
- Dry-contact outputs for easy interface to any host system
- RS-232, RS-422, RS-485 and J-1708 interfaces available

Auto-offloading



Infrared Transceivers (IRT)

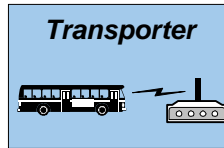
- Proven, rugged & reliable
- RS-422 interface
- Not subject to RF interference
- No RF danger in fueling areas



RF Devices

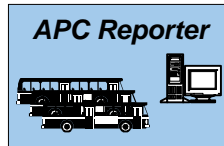
- Spread-spectrum RF modems
- IEEE 802.11 Wireless Ethernet
- Wireless Internet (CDPD)
- Cellular modems (analog or digital)

Software



Transporter Auto-offload

- Works with *i PCU* and *m PCU* data loggers and any auto-offload transfer device
- Fully networked for LAN/WAN operation



APC Analysis & Reporting

- SQL database compatible
- Interfaces to Schedule & GIS databases
- Fully networked for LAN/WAN operation
- Versatile reporting options
- U.S. NTD statistical reports

Building Products Overview

Sensors



OPS

- Machine-vision with Artificial Intelligence
- Dry-contact outputs for easy interface to any host system
- RS-232, RS-422 and RS-485 interfaces available
- Covers doorways and corridors up to 20-foot wide
- Indoor or outdoor operation



Zone Sensors Arrays

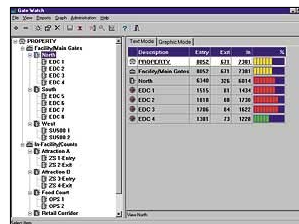
- Active IR
- Covers doorways and corridors up to 32-foot wide
- Minimum configuration is 2 Zone Sensors per door
- Rugged, reliable design
- Indoor or outdoor operation

System Products



GWCB-12E Count Controller

- Works with *i PCU* and *m PCU* data loggers and any auto-offload transfer device
- Fully networked for LAN/WAN operation



GateWatch Facility Counting Software

- Computerized counting software
- Standard analysis and report generation
- Exports to most spreadsheets
- Controller communication to GateWatch server via Ethernet or RS-232 serial

PerMetrics Technologies

P.O. Box 20065
London, Ontario, N6K 4G6
CANADA
Tel: (519) 232-4989
Fax: (519) 456-1673
E-mail: sales@permetricstech.com
Internet: www.permetricstech.com

© 2008 PerMetrics Technologies